



MAXIMATIC® 2- & 3-WAY VALVES

Direct-Acting 2-Position Solenoid Valves



MME-2SDS-D024



MME-3PDS-D110

Maximatic® Direct-Acting Valves are single solenoid spring return poppet type valves available as either 2-way or 3-way configurations in ports sizes 1/8" NPT and 1/4" NPT. Hardware to stack multiple valves included with each stacking valve (MME-3SDS and MME-2SDS). Includes one long screw, one short screw, one gasket, and one nut.

Flow: 2.3 scfm @ 100 psig
Electrical Connection: DIN connector with LED indicator ("D"), or 18" Wire Lead ("W")
Voltage: 12-volt DC ("-012"), 24-volt DC ("-024"), 24-volt AC ("-24A"), 110-volt AC ("-110"), or 220-volt AC ("-220")
Power Consumption: 6.5 Watt
Number of Ports: 2 or 3
Mounting: Body Ported or Stacking

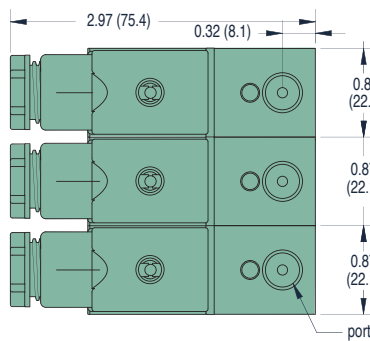
Medium: Air (40 micron filtration), Inert Gas or Liquid
Operating Range: 0 to 115 psig

Replacement Stacking Kit

Replacement Stacking Kits are available which include two long screws, two short screws, one gasket and two nuts.

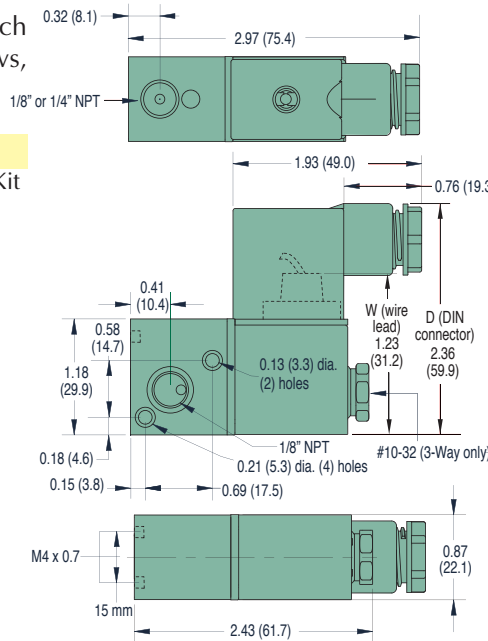
Part No.
27048

Replacement Stacking Kit

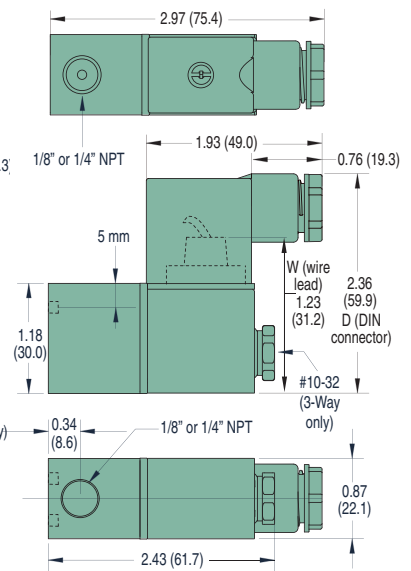


3-Station Configuration

2-Way & 3-Way Valves (Stacking)



2-Way & 3-Way Valves (non-Stacking)



2-Way Valves	Cv/scfm*	3-Way Valves	Inlet	Outlet	Exhaust	Cv/scfm*
MME-2PDS-A	0.12/6.7	MME-3PDS-A	1/8" NPT	1/8" NPT	#10-32	0.10/2.3
MME-2SDS-P	0.05/2.3	MME-3SDS-P	1/8" NPT	1/8" NPT	#10-32	0.10/2.3
MME-2QDS-P	0.12/6.7	MME-3QDS-P	1/4" NPT	1/4" NPT	#10-32	0.10/2.3

** Stacking Valve

* scfm based on flow @ 100 psig

Add Electrical Connection and Voltage Choices to the end of each Base Part Number - Example: **MME-2QDS-W220**